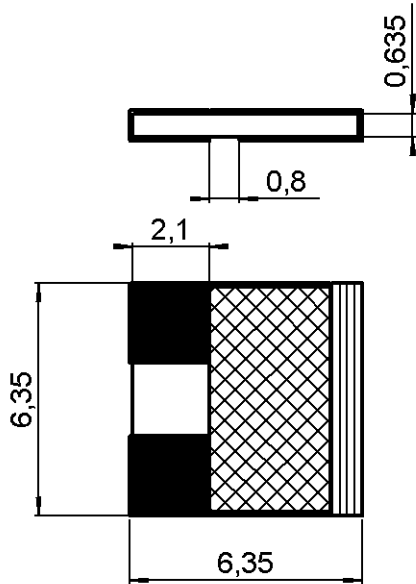


SMT ATTENUATOR

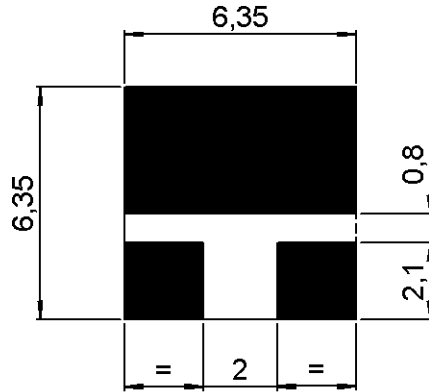
R421.106.005

6 DB 2 GHZ 3 W (TRUE SURFACE MOUNTING)

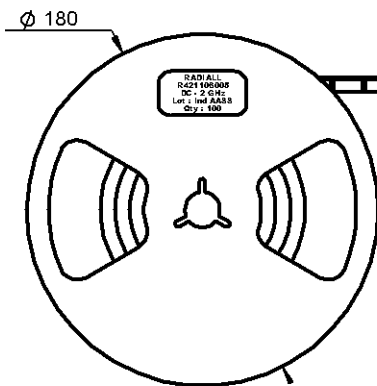
Series :
ATTENUATOR



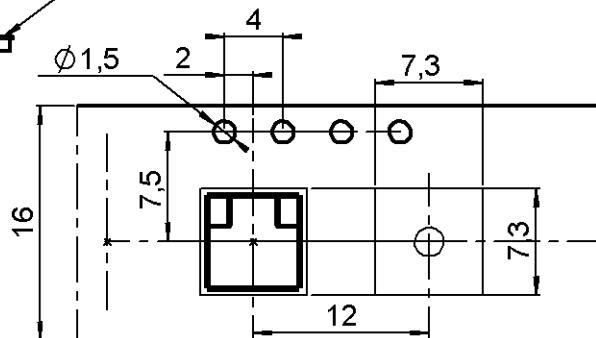
SOLDERING PATTERN



* **CONDITIONNEMENT PAR 100**
PACKAGING BY 100 *



VUE A
VIEW A



dimensions are in mm.



Weight 0,0000 g

Specification

Issue : 0524 A

In the effort to improve our products, we reserve the right to make changes judged to be necessary.



SMT ATTENUATOR

R421.106.005

6 DB 2 GHZ 3 W (TRUE SURFACE MOUNTING)

Series :
ATTENUATOR

ELECTRICAL CHARACTERISTICS

Frequency range : DC – 2 GHz
 Impedance : 50 ohms ±5%
 Average Power : 3 W
 Attenuation: 6dB +/-0.3dB

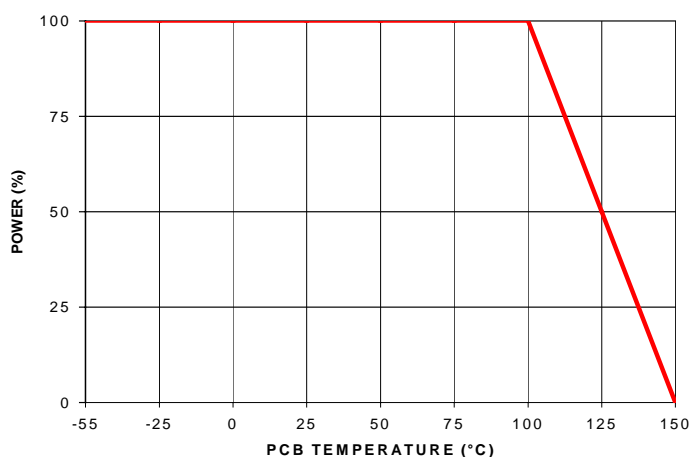
Frequency	DC – 2 GHz				
V.S.W.R	<= 1.20				

MECHANICAL CHARACTERISTICS

Substrate : Al2O3
 Resistive film type : Thick film
 Protective coating : Epoxy
 Solderable terminal & ground : PtAg

OTHER CHARACTERISTICS

Power derating
Versus temperature



ENVIRONMENTAL

Operating temperature range : -55°C + 150°C

Issue : 0524 A

In the effort to improve our products, we reserve the right to make changes judged to be necessary.

